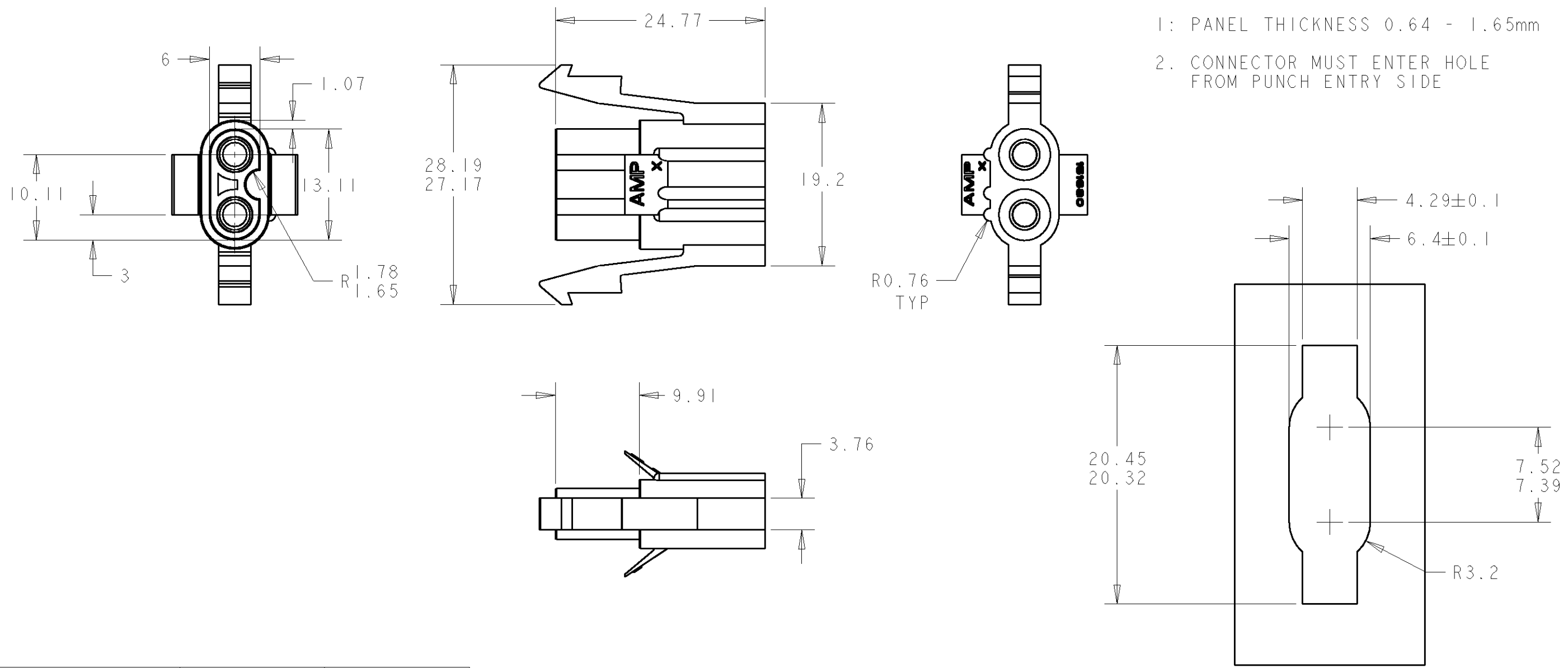


THIS DRAWING IS UNPUBLISHED. RELEASED FOR PUBLICATION 20  
 © COPYRIGHT 20 BY TYCO ELECTRONICS CORPORATION. ALL RIGHTS RESERVED.

LOC	DIST	REVISIONS				
P	LTR	DESCRIPTION	DATE	DWN	APVD	
	P	ECR-06-000059	03JAN2006	MJG	JA	
	P1	ECR-10-000004	22MAR10	RK	SRE	



NOTES:

- 1: PANEL THICKNESS 0.64 - 1.65mm
- 2. CONNECTOR MUST ENTER HOLE FROM PUNCH ENTRY SIDE

NYLON 66 (V0)	NATURAL	2-151680-0	
NYLON 66	BLACK	<del>151680-9</del>	OBSOLETE
NYLON 66	GREY	151680-8	
NYLON 66	VIOLET	151680-7	
NYLON 66	GREEN	<del>151680-5</del>	OBSOLETE
NYLON 66	YELLOW	151680-4	
NYLON 66	ORANGE	151680-3	
NYLON 66	BROWN	151680-1	
NYLON 66	NATURAL	151680-0	
MATERIAL	COLOUR	PART NO	

THIS DRAWING IS A CONTROLLED DOCUMENT FOR TYCO ELECTRONICS CORPORATION  
 IT IS SUBJECT TO CHANGE AND THE CONTROLLING ENGINEERING ORGANIZATION  
 SHOULD BE CONTACTED FOR THE LATEST REVISION.

DIMENSIONS:	TOLERANCES UNLESS OTHERWISE SPECIFIED:
mm	
	0 PLC ±0.5
	1 PLC ±0.5
	2 PLC ±0.5
	3 PLC ±0.5
	4 PLC ±0.5
	ANGLES ±1
MATERIAL SEE TABLE	FINISH -

DWN	M. GREENER	03/01/06
CHK	J. AMBROSE	03/01/06
APVD	F. WHEELER-KING	03/01/06
PRODUCT SPEC	-	
APPLICATION SPEC	-	
WEIGHT	-	
CUSTOMER DRAWING		

		Tyco Electronics Bideford, Devon EX39 4HA	
NAME 2 WAY 'MATE-N-LOK' SOCKET HOUSING			
SIZE	CAGE CODE	DRAWING NO	RESTRICTED TO
A3	00779	C-151680	-
SCALE 2:1		SHEET 1	OF 1
		REV	P1